



Fiberdeck[®]

Installation Instructions

Composite fencing BOSTON

This installation guide must be read before starting any work. If these instructions are not followed, the warranty shall be rendered null and void.

Composite fencing boards are not intended for structural use.

The fence is resistant to winds up to 120 km/hour for a height of 1840 mm with concrete sealing and 1240 mm with installation on plates.

STORAGE:

Boston composite fencing boards must be stored on a flat surface in order to prevent any deformation. Boards must be stored at the worksite in a flat position, 48 hours before installation.

TOOLS:

- Auger
- Tape measure
- Power screwdriver
- Radial arm saw with table
- Rope
- Level
- Allen wrench M6
- Power drill
- Spade
- Shovel
- Wheelbarrow
- Bucket
- Marking paint

Boards must be stored at the worksite in a flat position, 48 hours before installation.

FOUR IMPORTANT POINTS TO FOLLOW

1. ENSURE PROPER ATTACHMENT OF THE POST

Seal in 50 cm of concrete, or fasten to a small wall. In all cases, follow installation instructions.

2. MAXIMUM HEIGHT OF 1.2 m ON PLATE

To resist winds up to 120 km/hour, the maximum fence height is 1.2 m when installed on plates. In areas exposed to high winds, we recommend installing open aluminium décors in order to reduce the fence's wind load.

3. EXPANSION CLEARANCE - CUTTING

To shorten a fence module, make sure to use the length of the lower/upper wall plate as reference and adjust the boards/décors with an oversize of 2 cm. (1 cm on each side of the wall plate).

4. CAUTION: AVOID SCRATCHES

The BOSTON fence structure is made of powder-coated aluminium. Although very resistant, this material is susceptible to permanent scratches if it is handled carelessly.

BOSTON GATE COMPONENTS



- 1. Insertable cover
- 2. 1840 mm post to be sealed in concrete or fastened to a plate
- 3. 2340 mm post to be sealed in concrete
- 4. Fastening plate 120 x 120 mm + 4 caps
- 5. Finishing profile
- 6. Upper and lower wall plates + 4 connectors
- 7. Horizontal décor
- 8. Vertical décor
- 9. Composite board + metal reinforcement
- 10. Aluminium board

FENCE/POST HEIGHT CORRESPONDENCE

| Number of composite or aluminium boards | Fence height in mm | Post height in mm | |
|---|--------------------|-------------------|----------|
| | | Sealing | on plate |
| 12 | 1800 | 2340 | 1840 |
| 11 | 1650 | 2190 | 1690 |
| 10 | 1500 | 2040 | 1540 |
| 9 | 1350 | 1790 | 1390 |
| 8 | 1200 | 1540 | 1240 |
| 7 | 1050 | 1390 | 1090 |
| 6 | 900 | 1240 | 940 |



Depending on the model, a horizontal décor replaces two or three boards.

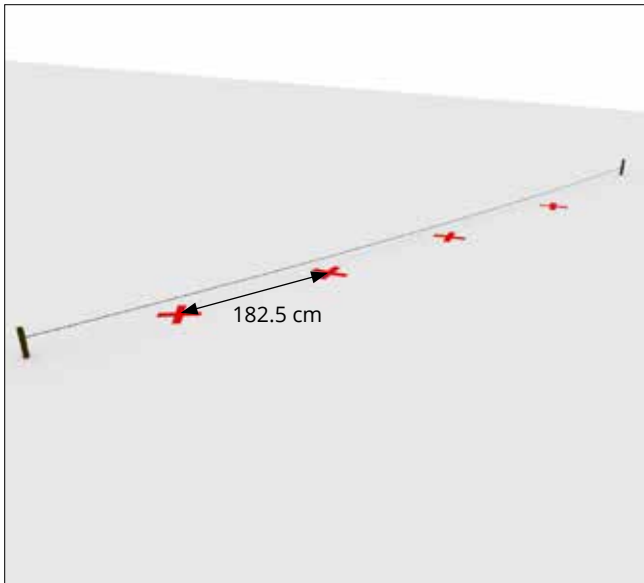
✓ H: 45 cm = 3 boards

✓ H: 30 cm = 2 boards

Posts can be cut with a fine-toothed circular saw for cutting metal.

1 - INSTALLATION OF POSTS WITH CONCRETE SEALING

1 - Mark off the ground with a string line to position the fence, and show the placement of the posts with spray paint every 182 cm. Dig holes about 50 cm deep and 40 cm in diameter in which the posts will be positioned.



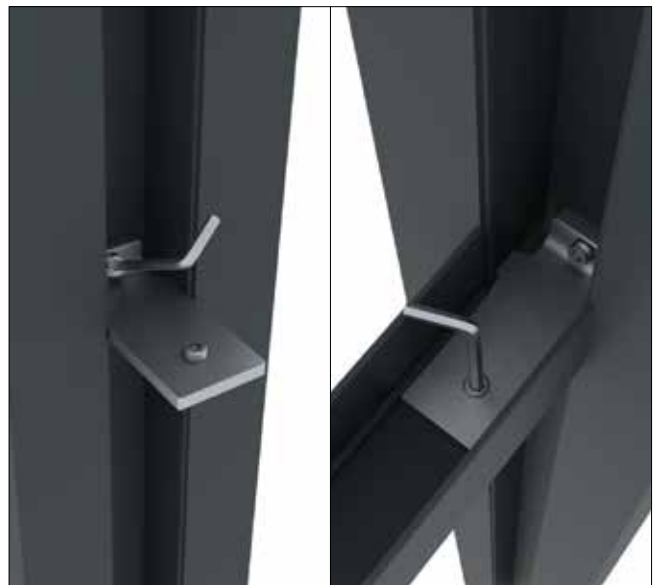
2 - Position the first post and fill the hole with dry concrete (1 volume of cement, 2.5 volumes of sand, 3.5 volumes of gravel and 0.5 volumes of water) prepared in advance.



3 - Check plumb with a level. Adjust the height of the post with respect to the ground, so that it does not exceed 184 cm. Refer to Table 1 to know the correspondence between post height and the desired fence height.

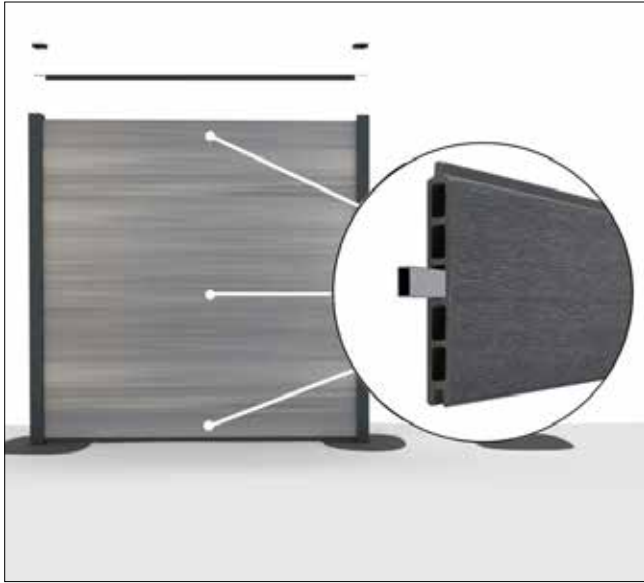


4 - Installation of the first bay (1 post + 1 panel). Position the lower wall plate on the ground with spacing of 2 cm with respect to the ground. Attach the pre-inserted connector in the post. Use of an M6 Allen wrench.



5 - Adjust the lower wall plate horizontally and at the right height with a bubble level, then tighten the connectors on the post with the M6 Allen wrench. A minimum expansion clearance of 5 mm on each side of the composite/aluminium board should be ensured. In case of difference in level, finish moulding can be used lengthwise as padding.

6 - Insert the aluminium or composite boards following the selected pattern. Insert the first board in the lower wall plate, and repeat the operations with the other boards. Check for the presence of a galvanised steel reinforcement on all four boards.



7 - Seal the second post. Adjust post height and verticality. Support the assembly with stays.

8 - Repeat the operation. Continue working in the same manner, and take care to pack down the concrete at the foot of each post.

9 - Before the concrete dries, recheck post alignment using a string line pulled tight, and correct the alignment, if needed.

10 - Let the concrete dry for at least 72 hours before removing the installation levels and other components supporting the fence.

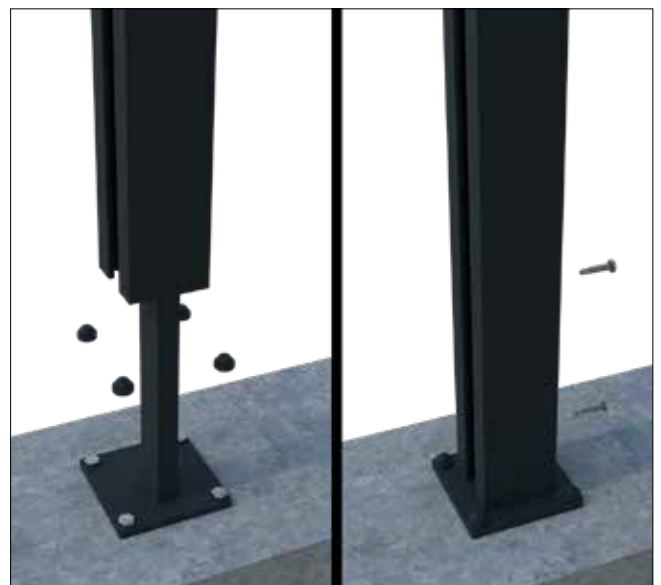
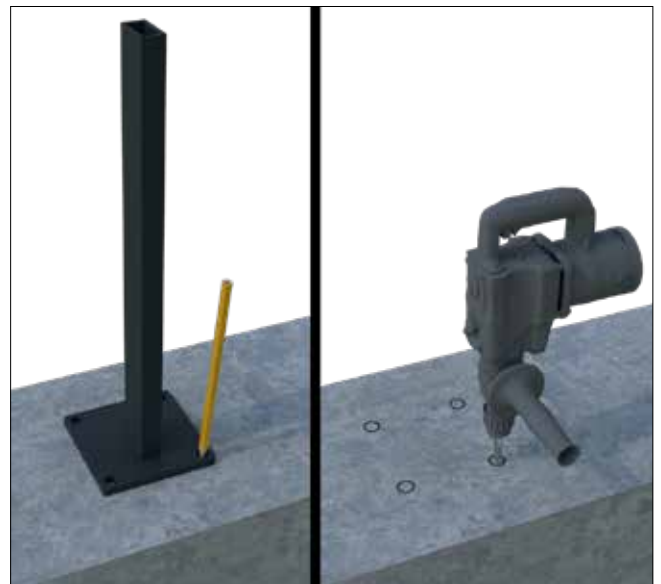
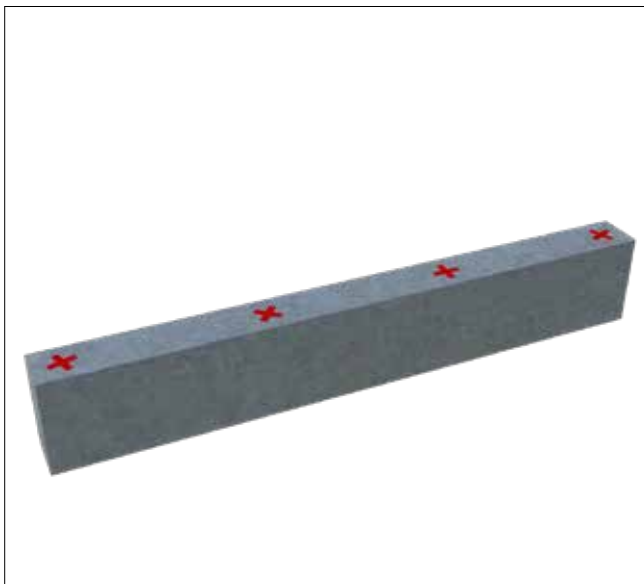
2 - INSTALLATION OF POSTS ON SLABS / WALLS (plate)

The plates must be fastened to a concrete slab with a thickness of at least 20 cm or on a wall made of full concrete blocks. The wall must be built in accordance with good trade practice. Do not install the plates on a hollow support surface (e.g. hollow concrete blocks).

- 1 - Mark off the ground/wall with a string line to position your fence.
- 2 - Position the first plate to fasten to the support surface, and mark the 4 fastening points. (Make sure the plate is properly oriented). If starting along a wall, you can use a U-rail with vertical pins.
- 3 - Drill the 4 holes with a diameter of 12 mm using the power drill.
- 4 - Attach the plate with 4 M10 stainless steel studs (not supplied) and the finishing caps.
- 5 - Position the first post in the axis of the plate.
- 6 - Screw the foot of the post in the base of the groove with the 2 metal screws provided. Pre-drilling to a diameter of 3.5 mm is required. Spacing of approximately 15 cm.

Slide the second post on a free plate. Position and attach the lower wall plate between the 2 posts as a distance indicator to follow, mark the four fastening holes and drill the holes.

Once the second plate and the post have been fastened, insert the lower wall plate equipped with connectors by making it pivot around itself and attach it to the posts on each side, and adjust its horizontal alignment using a bubble level. Ensure clearance of 2 cm off the ground. Levelling can be done using a piece of finish moulding used lengthwise.



3 - INSTALLATION OF HORIZONTAL DÉCORS

Décors are delivered in a box with:

- ✓ 2 profiles with a section of 21 x 45 mm and a length of 1780 mm.
- ✓ 2 grooved finish mouldings, length: 30 or 45 cm as a function of pattern.

Insert a horizontal profile and simply insert it in the tab of BOSTON composite or aluminium boards.

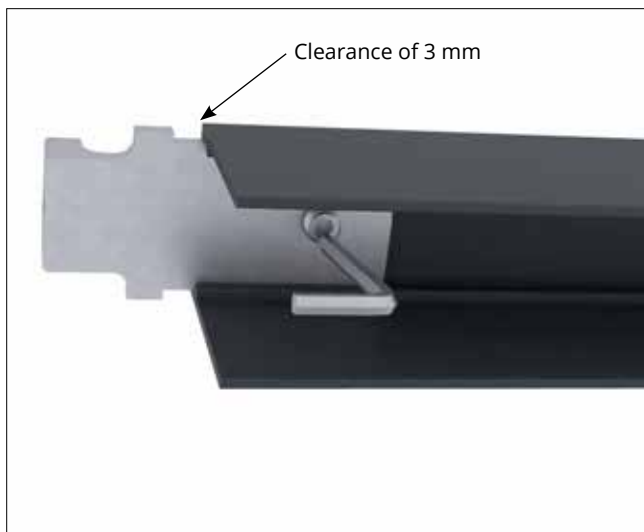
These décors may be positioned at any height on the fence. To add boards on the décor, just turn over the last boards and insert them backwards up to the upper wall plate.

- ✓ A décor with a height of 45 cm replaces 3 boards
- ✓ A décor with a height of 30 cm replaces 2 boards

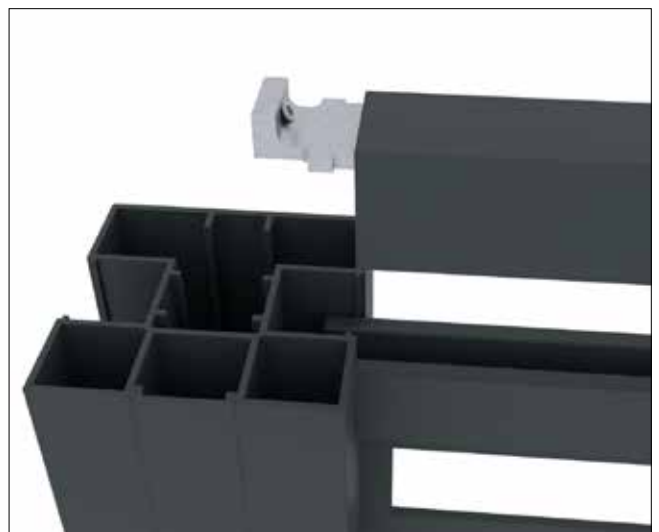


4 - INSTALLATION OF UPPER WALL PLATES AND POST HEADERS

1 - Equip the upper wall plate on each side of the 2 cast aluminium connectors, taking care to leave a clearance of 3 mm before tightening screws with the Allen wrench. Caution: make sure installation is in the correct direction.



2 - Position the upper wall plate on the last board or décor frame. Insert the connectors in the rabbets of the post. Leave vertical expansion clearances of at least 10 mm between the last board and the high point of the post. Then insert the post headers.



5 - INSTALLATION OF VERTICAL DÉCORS

Vertical décors are delivered in a box with:

- ✓ 2 profiles with a section of 21 x 45 mm and a variable length depending on the pattern.
- ✓ 2 grooved finish mouldings, length: 45 cm and 30 cm.
- ✓ 2 upper and lower wall plates.
- ✓ 4 cast aluminium connectors.

The vertical décor is delivered with all of the components to ensure fastening between 2 posts.

1 - Fasten the lower wall plate with the connectors on each of the 2 posts. Level, then tighten the connector screws in the posts.



2 - Slide the first décor frame in the lower wall plate.



3 - Insert the first grooved finish moulding, length 1764 mm, in one of the posts. Slide the décor in the grooves of the moulding and lower frame. Then insert the 2nd grooved moulding to block the décor and then the second horizontal frame profile.



4 - Equip the upper wall plate on each side of the 2 cast aluminium connectors, taking care to leave a clearance of 3 mm before tightening screws with the Allen wrench. Caution: make sure installation is in the correct direction.





ANGLE POSTS

Each post is delivered in H-type position. To transform each standard H-type post into an L-type angle post, just move the finish moulding from one side to the other.



FINISH MOULDINGS

Insert the finish mouldings (length: 1840 mm) on the first and last posts of the fence. Cut the finish moulding to fit the post height.

OPTIONAL LIGHTING

The BOSTON fence can be lit with LAKKA 100 x 100 x 100 mm lights – to be mounted only on aluminium boards. Voltage: 220V – Wiring to be installed in posts and an aluminium board (drill D15 mm) with junction box on the ground.

6 - RECOMMENDATIONS

- ✓ In areas exposed to high winds, we recommend installing open aluminium décors in order to reduce the fence's wind load.
- ✓ To cut or shorten a fence module, make sure to use **the length of the lower/upper wall plate** as reference and adjust the boards/décors with an oversize of 2 cm. (1 cm on each side of the wall plate)

7 - MAINTENANCE ADVICE

BOSTON COMPOSITE FENCING BOARDS

FIBERDECK® composite wood fencing boards do not require any specific protection.

We recommend washing the fencing boards twice a year with water and a brush. Scrub along the length of the boards.

- For persistent scratches or stains, use a brass brush
- Depending on the exposure of the palisade and on humidity and temperature variations, composite wood boards may undergo slight cupping. We can allow a tolerance of 5 mm per linear meter. Metal reinforcements on 1 of 3 boards can minimise this effect.

DÉCORS, POSTS, FINISH MOULDINGS and ALUMINIUM BOARDS

These components are made of aluminium that is powder coated with epoxy paint. Therefore, they do not rust. They can be maintained with household cleaning products. After washing, rinse well with clean, pure water (no added cleaners). Never use alkaline or acidic products, abrasive sponges or any abrasives in general.

Small scratches can be repaired with a touch-up kit (ref.: 1036)

Fiberdeck[®]

2 rue de la Carnoy – F-59130 Lambersart

Tel. : +33 (0)3 20 07 09 69 - Fax: +33 (0)3 59 35 00 96

www.fiberdeck.com
contact@fiberdeck.fr